

Soft Starters VersiStart i II 18 ... 200 1.11

Features:

- ▣ two-phase controlled soft starter
- ▣ controlled by microcontroller
- ▣ integrated bypass relay
- ▣ current and torque reduction during acceleration
- ▣ integrated motor overload protection
- ▣ motor PTC connection
- ▣ voltage range 200 - 440V or 200 - 575V



**Soft Starters
VS i II 18 ... 200**



Function:

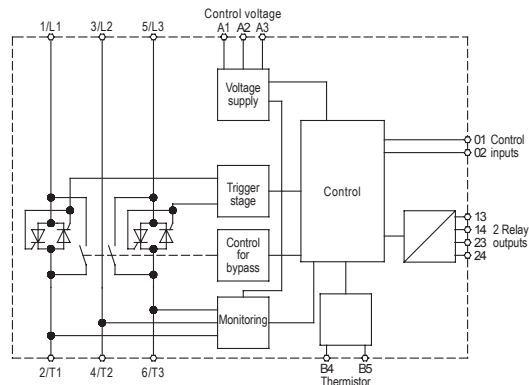
- ▣ 2 relay outputs
- ▣ acceleration time monitoring
- ▣ Adjustable parameters:
 - rated motor current
 - current ramp
 - current limit
 - soft stop – ramp time
 - motor protection class
 - output relay function
 - phase rotation protection

Accessories:

- ▣ Ext. operating panel and interface (29000.25901)
- ▣ Interface for ext. operating panel (29000.25902)
- ▣ DeviceNet module (29000.25903)
- ▣ Modbus module (29000.25904)
- ▣ Profibus module (29000.25905)
- ▣ Module for pumps applications (29000.25906)
- ▣ Finger protection (29000.25907)

Typical Applications:

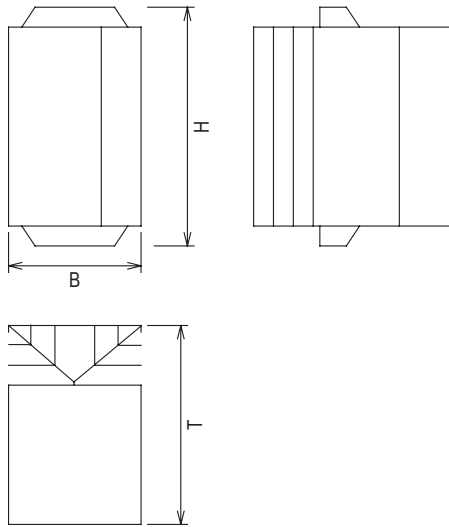
pumps, ventilators
 compressors
 mills, crushers, presses
 conveying systems
 drives with high-inertia starting



Technical Data	VS i II 440 -											
	18C1	34C1	42C1	48C1	60C1	75C1	85C1	100C1	140C1	170C1	200C1	
	18C2	34C2	42C2	48C2	60C2	75C2	85C2	100C2	140C2	170C2	200C2	
Mains voltage according to DIN EN 50160 (IEC 38)	200-440V 45-66Hz											
	VS i II 575-											
	18C1	34C1	42C1	48C1	60C1	75C1	85C1	100C1	140C1	170C1	200C1	
	18C2	34C2	42C2	48C2	60C2	75C2	85C2	100C2	140C2	170C2	200C2	
Mains voltage according to DIN EN 50160 (IEC 38)	200-575V 45-66Hz											
Rated device current in A	18A	34A	42A	48A	60A	75A	85A	100A	140A	170A	200A	
Motor rating at 400V in kW	7,5	15	18,5	22	30	37	45	55	75	90	110	
Current ramp	2s, 5s, 15s with 150%, 200% and 250% In											
Current limit	250%, 275%, 300%, 325%, 350%, 375%, 400%, 425%, 450% In											
Motor protection class	adjustable											
Deceleration time	2s – 20s											
Switching frequency 4x Ie and 6s	AC 53b 10/h						AC 53b 6/h					
Techn. parameter of relay outputs	6A/30VDC; 2A/400VAC											
Ambient temperature	-10°C...+40°C (+60°C Derating)											
Control voltage	C1: 110-240VAC -15%/+10% 380-440VAC -15%/+10%; C2: 24VDC/24 VAC ±20%											
Weight / kg	2,4				4,3				6,8			
Order number:												
440V/C1	25900.44...	018	034	042	048	060	075	085	100	140	170	200
440V/C2	25901.44...	018	034	042	048	060	075	085	100	140	170	200
575V/C1*	25900.57...	018	034	042	048	060	075	085	100	140	170	200
575V/C2*	25901.57...	018	034	042	048	060	075	085	100	140	170	200

* units with 575V are not available ex stock, upon request

Dimensions:



	B (mm)	H (mm)	T (mm)
VS i II...-18	98	203	165
VS i II...-34	98	203	165
VS i II...-42	98	203	165
VS i II...-48	98	203	165
VS i II...-60	98	203	165
VS i II...-75	145	215	193
VS i II...-85	145	215	193
VS i II...-100	145	215	193
VS i II...-140	202	240	214
VS i II...-170	202	240	214
VS i II...-200	202	240	214

Connection Diagram:

